

VANDERBILT



SPC

Smart security for a connected world



SJC Security Installations Ltd

sjcinstall.co.uk

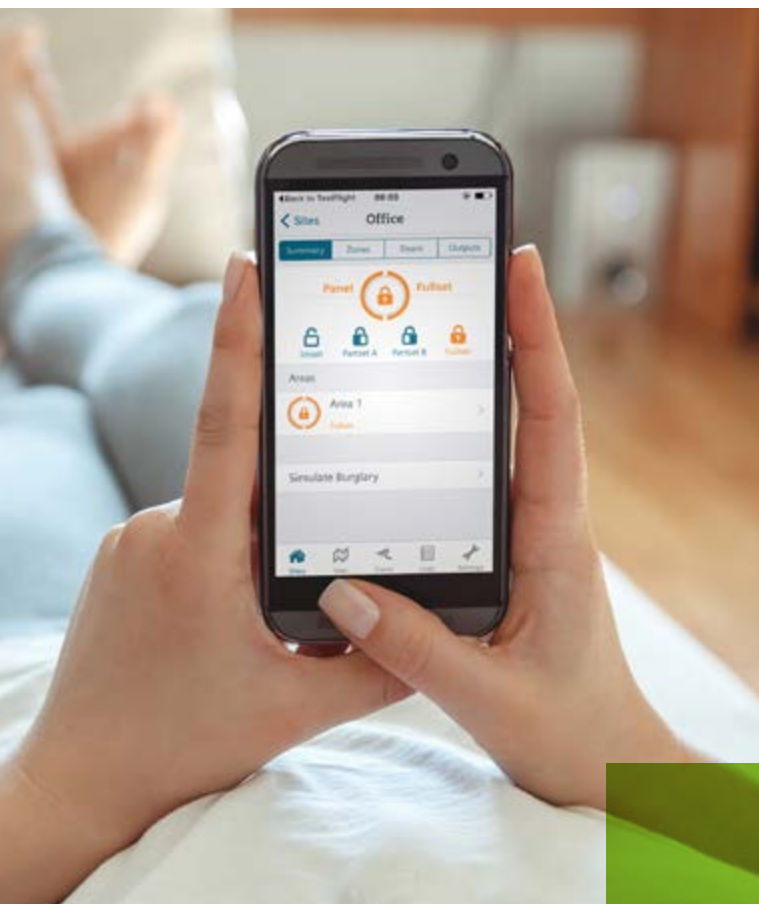
spc-intruder-detection.com

SPC protects businesses, properties and assets. It is an intrusion detection system that offers versatile and comprehensive alarm management functionality. Through the use of cloud services, end user apps and a dedicated software suite, SPC is at the forefront of modern intrusion detection.

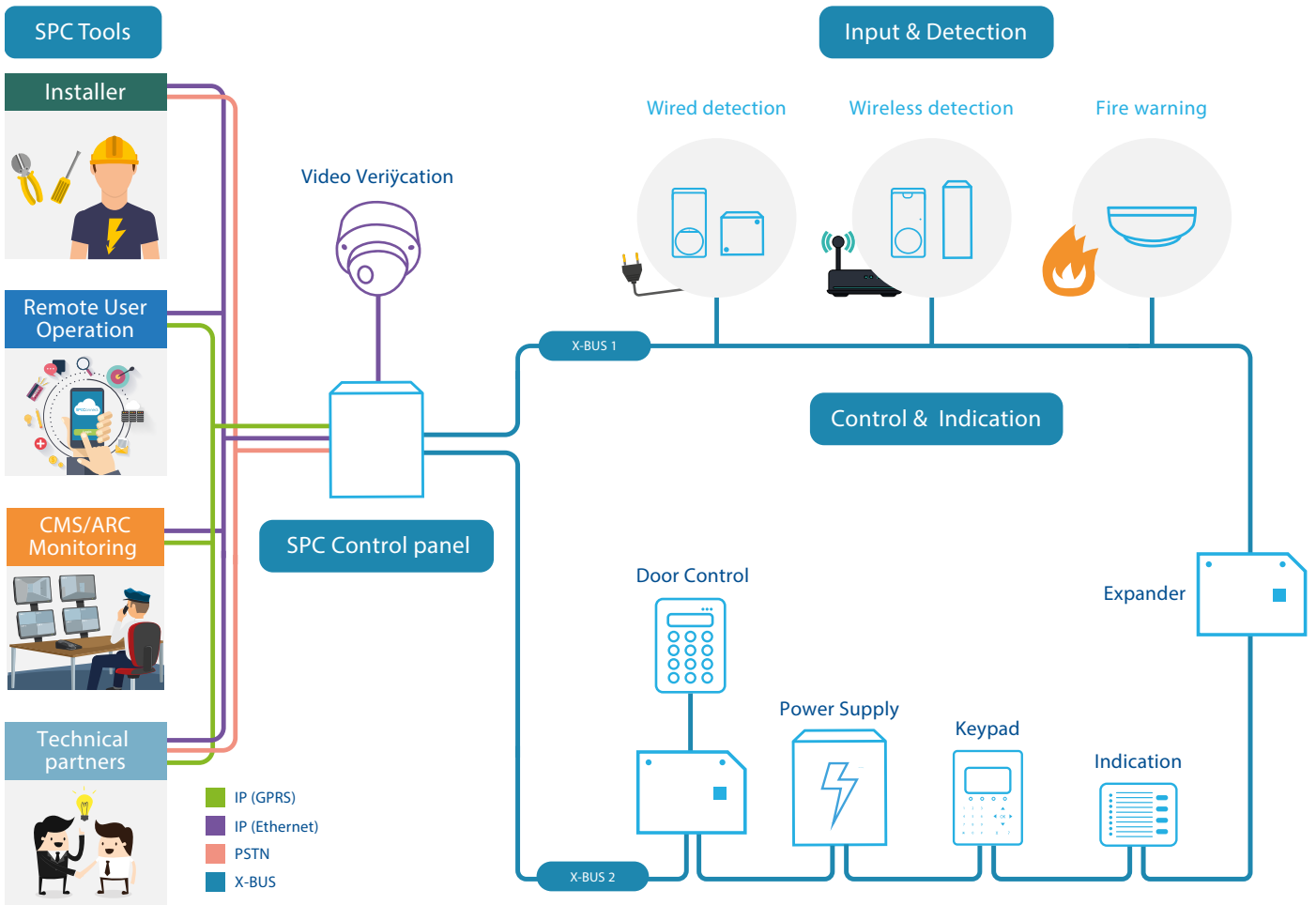
SPC is a professional security solution that provides an infrastructure that can easily be adapted to changing requirements, offering wired or wireless options.

Features & Benefits

- ✓ Range of panels to suit customers needs and budget
- ✓ Intuitive web interface layout reducing navigation effort
- ✓ Scalable up to 2,500 users, 512 zones
- ✓ Built in door control – up to 2,500 users and 64 doors
- ✓ One of the most approved panels in Europe
- ✓ Embedded web server



- ✓ IP based Audio - Video Verification
- ✓ Reliable high-speed communication expander bus
- ✓ Fully integrated secure IP based communication
- ✓ Extensive software suite with instant remote access to any site
- ✓ SPC Connect provides a secure communication path to SPC
- ✓ FlexC™ Multi-path signalling facility with proprietary rolling encryption



The integrated Ethernet interface and bus technologies of SPC provide the necessary flexibility to adapt quickly and easily to changing circumstances.



Every SPC system comes with individual, pre-configured security settings that can be activated easily either locally via the keypad, or remotely via a web browser.



✔ SPC PANEL FIRMWARE UPDATE

All SPC systems can be remotely updated to the latest SPC firmware ensuring your customers can have all of the latest features available in SPC.

✔ SPC ACCESS CONTROL

SPC systems can be enhanced with door controllers allowing for up to 2,500 users to be configured on 64 doors. The access control solution within SPC interacts with the intrusion engine to provide a unified programming experience alongside enhanced security. The system offers the ability to control doors, define permission and provides additional flexibility and functionality that compliments intrusion detection.

VANDERBILT

www.vanderbiltindustries.com

✔ A SYSTEM THAT ADAPTS TO YOU

SPC provides a simple and quick installation for small systems and also has the power and features to allow you to deliver on complex installations.

✔ SECURITY AT ITS CORE

SPC has been externally accredited to EN, VdS, NF&A2P, and other security standards.

✔ MULTI LANGUAGE SUPPORT

With over 11 languages available SPC can save time and money by offering user-language support to increase the installation efficiency with multi lingual capacity.

✔ THE POWER OF COMMUNICATION

SPC is built on a powerful communications platform which can be accessed via a cloud interface for your customers, as well as through the FlexC™ alarm communications system. This ensures a level of flexibility and control that has been designed to meet the most demanding requirements and situations.

✔ SPC CONNECT

SPC Connect is the Vanderbilt hosted cloud-based solution empowering your SPC system on the cloud. For system users SPC connect offers a secure powerful interface for all their needs, including setting and using alarms and viewing live cameras on the system. For installers it enables you to remotely manage your customers tasks. By removing the physical need to visit a site, it delivers you control whilst saving you time and money.



34 Parsonage Drive
Cofton Hackett Birmingham
B45 8AR

Tel: - 0121 769 1064
Email: - info@sjcinstall.co.uk
Web: - www.sjcinstall.co.uk